

Linear

# SUMO A030x2 (60W) Fixture Guide

# KKDÖ

Indoor/Outdoor | Surface | Output up to 5940lm/m (1811lm/ft)

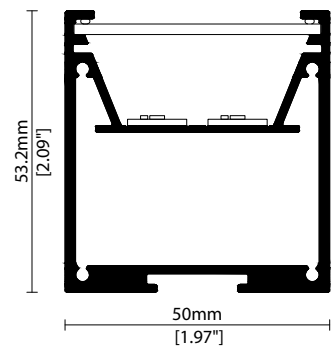


## Key applications

- ✓ Building façades
- ✓ Ceiling
- ✓ Direct lighting
- ✓ Downlighting
- ✓ Exterior
- ✓ Interior
- ✓ Public spaces
- ✓ Wet area

## Key features

- ✓ A-line (High Efficacy)
- ✓ Adjustable
- ✓ Custom lengths
- ✓ Constant Voltage (CV)
- ✓ Diffusion: homogenous
- ✓ Direct view
- ✓ High lumen efficacy
- ✓ IP44 moisture resistant
- ✓ IP67 waterproof



## MOUNTING METHODS



KKBK-16 small adjustable bracket



KKBK-17 large adjustable bracket

Linear

# SUMO A030x2 (60W)

## Specification sheet



<b>Dimensions</b>	H53.2/W50/L97-1520mm (H2.09/W1.97/L3.81-59.84in)
<b>PCB Cut-point</b>	38.46mm increment/1500mm max (1.51in increment/59.06in max)
<b>LED Pitch</b>	4.8mm - 416LED/m (0.19in - 127LED/ft)
<b>Chip</b>	<b>A-line</b>
<b>Cover/Optics</b>	Clear (75°)/Diffused (105°)
<b>CCT</b>	<b>A-line:</b> 2700K/3000K/4000K
<b>LED binning</b>	<b>A-line:</b> 3-step MacAdam ellipse
<b>CRI</b>	≤94
<b>Lifetime</b>	50,000 hours @ 25°C (50,000 hours @ 77°F)
<b>Operating temp</b>	T <sub>a</sub> = -25 to 50°C (T <sub>c</sub> max = 83.8°C) T <sub>a</sub> = -13 to 122°F (T <sub>c</sub> max = 183°F)
<b>IP Rating</b>	IP44/IP67
<b>Finish</b>	Silver anodised
<b>Mounting</b>	Surface mounting via adjustable brackets
<b>Power feed</b>	Sheathed hardwire tails
<b>Control</b>	0-10V/1-10V/DMX/DALI



### LED Grading Key

<b>Exclusive Grade</b>	*KKDC tuned CCT range
<b>A-line*</b>	3-step CCT range
KKDC highest lumen efficacy LED	

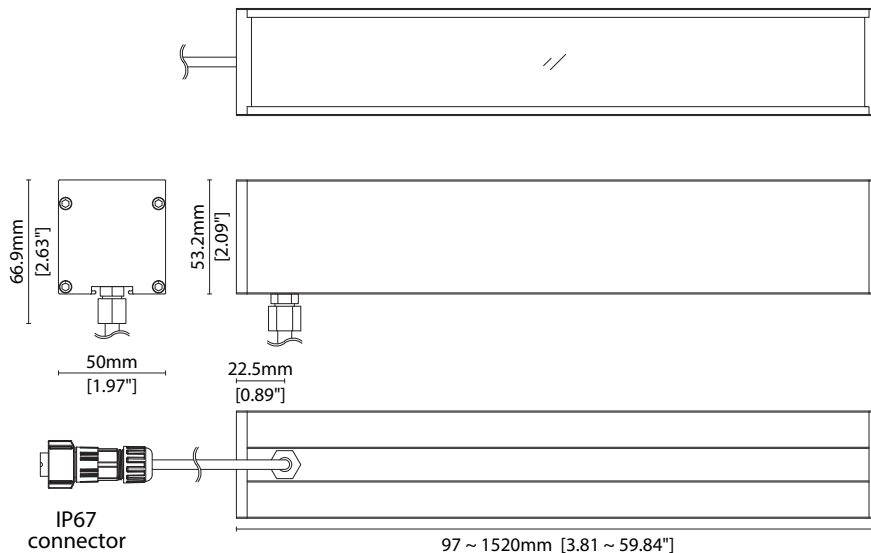
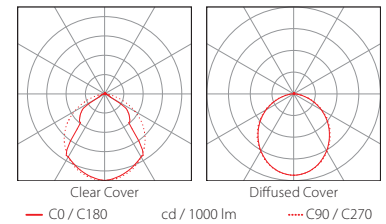
<b>Power consumption</b>	<b>Supply voltage</b>	<b>Supply current</b>
60W/m (18.29 W/ft)	24V DC	2.50A/m (0.76 A/ft)

### Performance Data (3000K)

	R1	R2	R3	R4	R5	R6	R7	R8	R9	R10	R11	R12	R13	R14
<b>A-line</b>	95	97	96	94	93	94	95	88	71	90	94	77	96	97

	<b>Clear</b>	<b>Diffused</b>	<b>CRI</b>	<b>R9</b>	<b>Rf</b>	<b>Rg</b>
<b>A-line</b>	5940lm/m (1811lm/ft) 99lm/W	4920lm/m (1500lm/ft) 82lm/W	94	71	-	-



Data derived from independent UKAS / IESNA LM-79-08 accredited testing of production samples.

Linear

# SUMO A030x2 (60W) Code Table



## FIXTURE

Model	Finish	Cover	Grade <sup>1</sup>	LED	Colour (CCT)	Length Availability <sup>2</sup>	IP	Cable Length	Power Feed <sup>3</sup>	Input
SUMO SU	Silver Anodised SA	Clear B Diffused C	A- A	A030 030	2700K 27 3000K 30 4000K 40	m 97-1520mm 38.46mm increments  i 3.81-59.84in 1.51in increments  (Specify length code OR total run length)	IP44 44 IP67 <sup>4</sup> 67	300mm/ 11.81" 300	Single ø6.3mm sheath tail S00B  Double ø6.3mm sheath tail D00B  Single ø6.3mm sheath IP67 connector <sup>5</sup> S67B  Double ø6.3mm sheath IP67 connector <sup>5</sup> D67B	DC 24V g

<sup>1</sup> Refer to LED Grading Key on Specification sheet page

<sup>2</sup> Refer to Length Availability List or enter total run length instead of length code

<sup>3</sup> Refer to Power Feed Options on Options pages

<sup>4</sup> Due to the clear, flush potted polyurethane top layer on IP67 SUMO A030 a colour shift of +/-20K should be expected

<sup>5</sup> IP67 connectors are used for both IP67 and IP44 product housings

## Code Example:

SU	-	SA	-	B	-	A	-	030	-	30	-	m	1520	-	67	-	300	-	S67A	-	g
SUMO		Silver Anodised		Clear		A-		A030		3000K			1520mm		IP67		300mm/11.81"		Single ø4.3mm sheath IP67 connector		DC 24V

## ACCESSORIES

### Mounting Accessories

KKBK-16	Small adjustable bracket (allow 2 per metre)
KKBK-17	Large adjustable bracket (allow 2 per metre)

\* Refer to Mounting accessories on Accessories pages

### Connection Accessories

CN67-2P-0300	IP67 2 PIN male & female 300mm/11.81" pair
CN67-2P-1000	IP67 2 PIN male & female 1000mm/39.37" pair
CN67-2P-3000	IP67 2 PIN male & female 3000mm/118.11" pair

\* Refer to Power feed on Accessories pages

### Exterior Junction Boxes

KKJB-07	IP67 Slim J-Box
KKJB-07R	Potting Resin for IP67 Slim J-Box

\* Refer to Exterior Junction Boxes on Accessories pages

### PSU/Driver

0-10V/1-10V/DALI/DMX

\* Refer to Driver/PSU Options page for details or provide requirement and KKDC to offer the suitable option

# SUMO A030x2 (60W)

## Length Availability List



Length Code		Fixture Length <sup>1</sup>		LED Strip <sup>2</sup>		End Cap Dimension <sup>3</sup>		Wattage (W)	Output (lm)
Metric	Imperial(US)	Metric	Imperial(US)	Metric	Imperial(US)	Metric	Imperial(US)		3000K (Test Data)
m0097	i0004	97mm	3.82in	77mm	3.03in	10mm	0.39in	4.62	457
m0135	i0005	135mm	5.33in	115mm	4.55in	10mm	0.39in	6.93	686
m0174	i0007	174mm	6.85in	154mm	6.06in	10mm	0.39in	9.24	914
m0212	i0008	212mm	8.36in	192mm	7.57in	10mm	0.39in	11.54	1143
m0251	i0010	251mm	9.88in	231mm	9.09in	10mm	0.39in	13.85	1371
m0289	i0011	289mm	11.39in	269mm	10.60in	10mm	0.39in	16.16	1600
m0328	i0013	328mm	12.90in	308mm	12.12in	10mm	0.39in	18.47	1828
m0366	i0014	366mm	14.42in	346mm	13.63in	10mm	0.39in	20.77	2057
m0405	i0016	405mm	15.93in	385mm	15.15in	10mm	0.39in	23.08	2285
m0443	i0017	443mm	17.45in	423mm	16.66in	10mm	0.39in	25.39	2514
m0482	i0019	482mm	18.96in	462mm	18.17in	10mm	0.39in	27.70	2742
m0520	i0020	520mm	20.48in	500mm	19.69in	10mm	0.39in	30.00	2970
m0559	i0022	559mm	21.99in	539mm	21.20in	10mm	0.39in	32.31	3199
m0597	i0024	597mm	23.50in	577mm	22.72in	10mm	0.39in	34.62	3427
m0635	i0025	635mm	25.02in	615mm	24.23in	10mm	0.39in	36.93	3656
m0674	i0027	674mm	26.53in	654mm	25.75in	10mm	0.39in	39.24	3884
m0712	i0028	712mm	28.05in	692mm	27.26in	10mm	0.39in	41.54	4113
m0751	i0030	751mm	29.56in	731mm	28.77in	10mm	0.39in	43.85	4341
m0789	i0031	789mm	31.08in	769mm	30.29in	10mm	0.39in	46.16	4570
m0828	i0033	828mm	32.59in	808mm	31.80in	10mm	0.39in	48.47	4798
m0866	i0034	866mm	34.10in	846mm	33.32in	10mm	0.39in	50.77	5027
m0905	i0036	905mm	35.62in	885mm	34.83in	10mm	0.39in	53.08	5255
m0943	i0037	943mm	37.13in	923mm	36.34in	10mm	0.39in	55.39	5484
m0982	i0039	982mm	38.65in	962mm	37.86in	10mm	0.39in	57.70	5712
m1020	i0040	1020mm	40.16in	1000mm	39.37in	10mm	0.39in	60.00	5940
m1059	i0042	1059mm	41.67in	1039mm	40.89in	10mm	0.39in	62.31	6169
m1097	i0043	1097mm	43.19in	1077mm	42.40in	10mm	0.39in	64.62	6397
m1135	i0045	1135mm	44.70in	1115mm	43.92in	10mm	0.39in	66.93	6626
m1174	i0046	1174mm	46.22in	1154mm	45.43in	10mm	0.39in	69.24	6854
m1212	i0048	1212mm	47.73in	1192mm	46.94in	10mm	0.39in	71.54	7083
m1251	i0049	1251mm	49.25in	1231mm	48.46in	10mm	0.39in	73.85	7311
m1289	i0051	1289mm	50.76in	1269mm	49.97in	10mm	0.39in	76.16	7540
m1328	i0052	1328mm	52.27in	1308mm	51.49in	10mm	0.39in	78.47	7768
m1366	i0054	1366mm	53.79in	1346mm	53.00in	10mm	0.39in	80.77	7997
m1405	i0055	1405mm	55.30in	1385mm	54.52in	10mm	0.39in	83.08	8225
m1443	i0057	1443mm	56.82in	1423mm	56.03in	10mm	0.39in	85.39	8454
m1482	i0058	1482mm	58.33in	1462mm	57.54in	10mm	0.39in	87.70	8682
m1520	i0060	1520mm	59.85in	1500mm	59.06in	10mm	0.39in	90.00	8910

<sup>1</sup> Actual total overall length of light fixture (LED strip + end caps + void/wire hole)

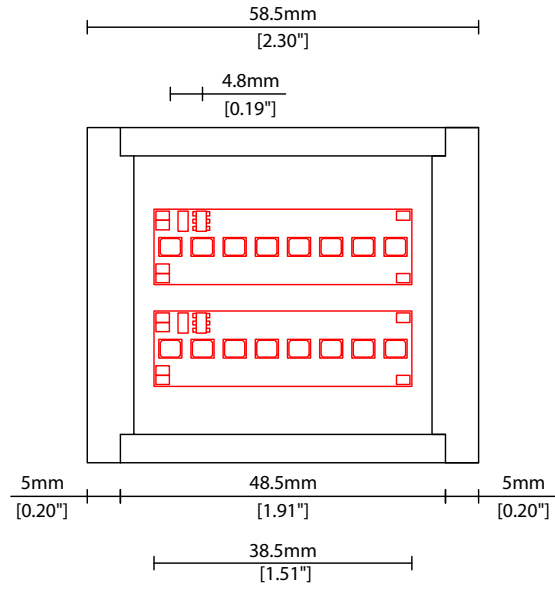
<sup>2</sup> Actual length of PCB strip

<sup>3</sup> Actual length of 2x end caps

Linear

# SUMO A030x2 (60W)

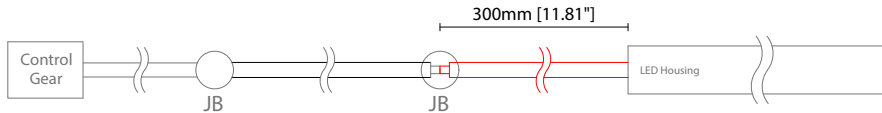
## Length Availability List



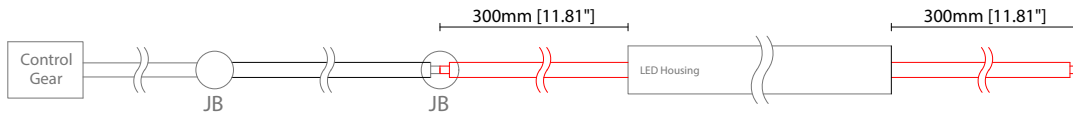
### POWER FEED OPTIONS

\* Options are an integral part of the fixture ordering codes. Please refer to **Code Table** pages.

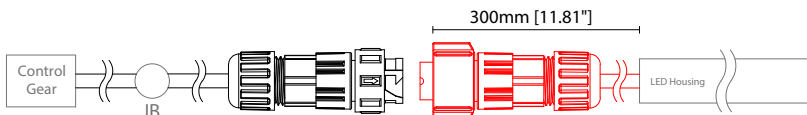
**0300 S00B 300mm (11.81") Single Ø6.3mm sheath tail**



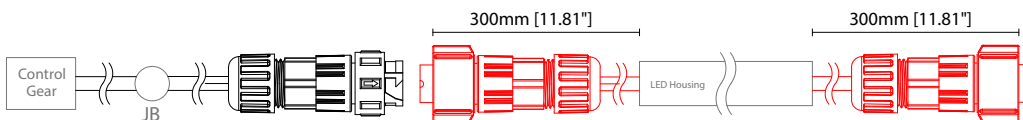
**0300 D00B 300mm (11.81") Double Ø6.3mm sheath tail**



**0300 S67B 300mm (11.81") Single Ø6.3mm sheath IP67 connector**

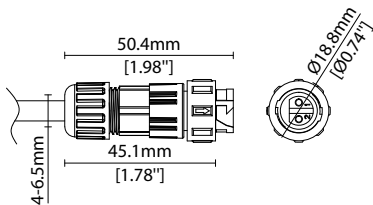


**0300 D67B 300mm (11.81") Double Ø6.3mm sheath IP67 connector**

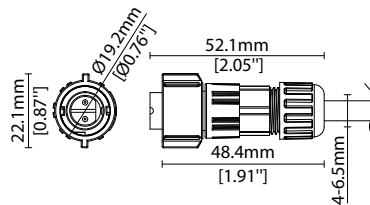


### IP67 2 Pin Connector

Female connector  
2 PIN (IP67)



Male connector  
2 PIN (IP67)



### Key

- Control Gear Power supply, sub-controllers & control systems
- JB Junction box / cable connection

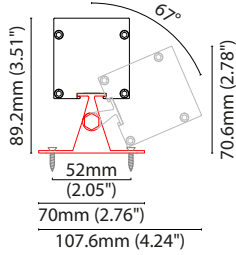
### MOUNTING ACCESSORIES

Note: Accessories are to be ordered separately with corresponding code shown below.



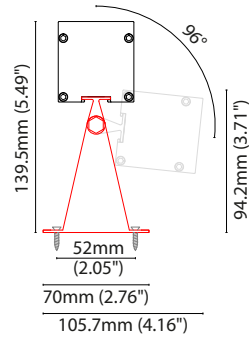
**KKBK-16**

Small adjustable bracket  
(allow 2 per metre/40in)  
Silver anodised aluminium finish  
L46/W70/H89.2mm  
(L1.8/W2.76/H3.51")



**KKBK-17**

Large adjustable bracket  
(allow 2 per metre/40in)  
Silver anodised aluminium finish  
L46/W70/H139.5mm  
(L1.8/W2.76/H5.49")



### POWER FEED



**IP67**



- CN67-2P-0300** 300mm (11.81in) pair
- CN67-2P-1000** 1000mm (39.37in) pair
- CN67-2P-3000** 3000mm (118.11in) pair

IP67  
2 PIN male + female connector set

### EXTERIOR JUNCTION BOXES



**KKJB-07**

IP67 Slim J-Box  
(including type A,B,C,D bushings)



**KKJB-07R**

Potting resin for IP67 Slim J-Box

Linear

# SUMO A030x2 (60W) Accessories

# KKDC

## KKDC CONTROL



IP20  
Plastic housing  
L170/W59/H29mm  
(L6.69/W2.32/H1.14in)

**KKDM-06** 1-10V

visDIM dimmable sub-controller  
(4 x 8A max @ 12-36V)



IP20  
Plastic housing  
L170/W53.4/H28mm  
(L6.69/W2.10/H1.10in)

**KKSC-05** DMX

visDIM dimmable sub-controller  
(4 x 5A max @ 12-36V)



IP20  
Plastic housing  
L170/W59/H29mm  
(L6.69/W2.32/H1.14in)

**KKDL-02** DALI

visDIM dimmable sub-controller  
(4 x 8A max @ 12-36V)



IP20  
Plastic housing  
L166/W53.4/H23mm  
(L6.54/W2.10/H0.91in)

**KKDL-03** DALI

visDIM dimmable sub-controller  
(4 x 5A max @ 12-36V)



### AVAILABLE PSU OPTIONS

Control Mode	PSU (Order Code)	Input Voltage AC	Output Voltage DC	Rated Output Current	Rated Power	Dim %	IP Rating
Switched	CEN-60-24	90-295V	24V	2.5A	60W	-	IP67
	HLG-60H-24	90-305V	24V	2.5A	60W	-	IP67
	HLG-100H-24	90-305V	24V	4.0A	100W	-	IP67
	HLG-150H-24	90-305V	24V	6.3A	150W	-	IP67
	HLG-240H-24	90-305V	24V	10A	240W	-	IP67
0-10V (1-10V)	PWM-40-24	90-305V	24V	1.67A	40W	100-0.15 (100-10)	IP67
	PWM-60-24	90-305V	24V	2.5A	60W	100-0.15 (100-10)	IP67
	PWM-90-24	90-305V	24V	3.67A	90W	100-0.15 (100-10)	IP67
	PWM-120-24	90-305V	24V	5.0A	120W	100-0.15 (100-10)	IP67
DALI	LIN100A1	120-277V	24V	1A per channel	100W	100-0.1	IP66/IP40
DMX RGB	LIN100A1	120-277V	24V	1.33A per channel	100W	100-0.1	IP66/IP40
DMX RGBW	LIN100A1	120-277A	24V	1A per channel	100W	100-0.1	IP66/IP40

### Flicker Free Options - Combination of PSU+ sub-controller

Control Mode	PSU (Order Code)	Sub-controller (Order Code)	Input Voltage AC	Output Voltage DC	Rated Output Current	Rated Power	Dim %	IP Rating PSU/ Sub-controller
0-10V or 1-10V	CEN-60-24	KKDM-06	90-295V	24V	2.5A	60W	100-0.9	IP67/IP20
	HLG-60H-24	KKDM-06	90-295V	24V	2.5A	60W	100-0.9	IP67/IP20
	HLG-100H-24	KKDM-06	90-295V	24V	4.0A	100W	100-0.9	IP67/IP20
	HLG-150H-24	KKDM-06	90-295V	24V	6.3A	150W	100-0.9	IP67/IP20
	HLG-240H-24	KKDM-06	90-295V	24V	10.0A	240W	100-0.9	IP67/IP20
DALI	CEN-60-24	KKDL-02/03	90-295V	24V	2.5A	60W	100-0.1	IP67/IP20
	HLG-60H-24	KKDL-02/03	90-305V	24V	2.5A	60W	100-0.1	IP67/IP20
	HLG-100H-24	KKDL-02/03	90-305V	24V	4.0A	100W	100-0.1	IP67/IP20
	HLG-150H-24	KKDL-02/03	90-305V	24V	6.3A	150W	100-0.1	IP67/IP20
	HLG-240H-24	KKDL-02/03	90-305V	24V	10.0A	240W	100-0.1	IP67/IP20
DMX RGB	CEN-60-24	KKSC-05	90-295V	24V	2.5A	60W	100-0.9	IP67/IP20
	HLG-60H-24	KKSC-05	90-305V	24V	2.5A	60W	100-0.9	IP67/IP20
	HLG-100H-24	KKSC-05	90-305V	24V	4A	100W	100-0.9	IP67/IP20
	HLG-150H-24	KKSC-05	90-305V	24V	6.3A	150W	100-0.9	IP67/IP20
	HLG-240H-24	KKSC-05	90-305V	24V	10.0A	240W	100-0.9	IP67/IP20

<sup>1</sup> The items shown above cover the most frequently used specification but does not exhaust the possible options

<sup>2</sup> PSU and/or driver can be chosen from the table, or KKDC may recommend the best option upon receipt of the controls requirement and installation environment

<sup>3</sup> Electrical shop drawing will include detailed information of PSU and relevant control drivers

<sup>4</sup> Cut sheets are available on the controls section of [www.kkdc.lighting](http://www.kkdc.lighting) or upon request